

## UMK-FE

Order No.: 2970031

The illustration shows a combination of versions UMK SE 11,25, UMK BE 11,25,- 22,5, -45 and UMK-FE



<http://eshop.phoenixcontact.de/phoenix/treeViewClick.do?UID=2970031>

Foot element, for mounting on mounting rail NS 32 or mounting rail NS 35/7.5, can be inserted between base and side element

Commercial data	
EAN	4017918087562
Pack	10 Pcs.
Customs tariff	85369010
Weight/Piece	0.0061 KG
Catalog page information	Page 566 (CC-2007)

### Product notes

WEEE/RoHS-compliant since:  
01/01/2003

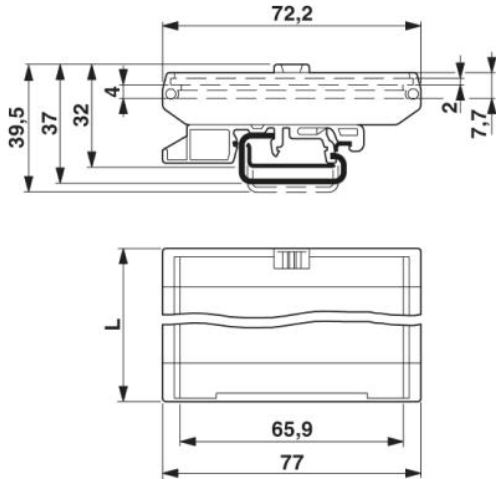


<http://www.download.phoenixcontact.com>  
Please note that the data given here has been taken from the online catalog. For comprehensive information and data, please refer to the user documentation. The General Terms and Conditions of Use apply to Internet downloads.

## Drawings

### Dimensioned drawing

---



UMK-FE Order No.: 2970031

<http://eshop.phoenixcontact.de/phoenix/treeViewClick.do?UID=2970031>

---

**Address**

PHOENIX CONTACT Inc., USA  
586 Fulling Mill Road  
Middletown, PA 17057, USA  
Phone (800) 888-7388  
Fax (717) 944-1625  
<http://www.phoenixcon.com>



© 2008 Phoenix Contact  
Technical modifications reserved;